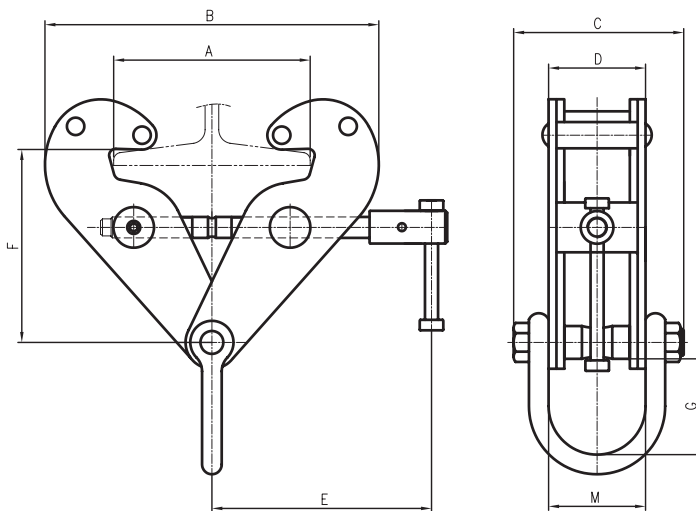


Material Handling Equipment

GPT-BC-015 - Beam clamp shackle type



Description:

- Simple and safe attachment point
- Can be attached easily and quickly without the use of any tools
- This clamp provides a suspension point for other lifting gears
- CE, Traceability code, GRIPTON, Jaw opening & WLL mentioned on label

Standard: EN 12195

Material: Carbon steel

Factor of safety: 4 to 1

Construction: Quenched & tempered

Proof load: Individually proof tested to 1.5 time of working load limit

Finish: Powder coated

Beam Clamp - Shackle Type

WLL (T)	I beam width range (mm)	A (max) (mm)	B (min) (mm)	B (max) (mm)	C (mm)	D (mm)	F (min) (mm)	F (max) (mm)	M (mm)	E (mm)	Net weight (Kg)
1	70 - 245	270	183	375	144	66	102	165	84	210	4.5
2	70 - 245	270	183	375	144	74	102	165	84	210	5.5
3	70- 355	365	240	520	210	103	135	225	125	258	11.5
5	70- 355	365	240	520	210	111	135	225	125	258	15.51
10	80 - 350	365	250	520	270	120	160	230	161	280	26