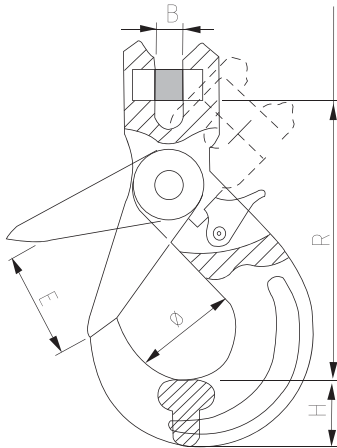


## Grade 80 - End Fittings

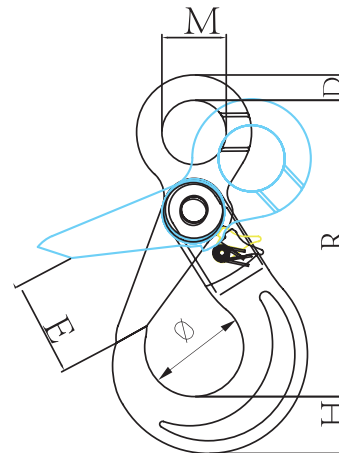
**GPT-CHK (L)-005 - Clevis self locking hook**



**Description:**

- For use with Grade 80 alloy steel chain
- Positive locking mechanism
- Suitable for overhead lifting application
- Size, CE, WLL, Traceability code & GRIPTON or GPT embossed

**GPT-EHK (L)-006 - Eye self locking hook**



- Standard: EN 1677  
 Material: Alloy steel  
 Factor of safety: 4 to 1  
 Construction: Quenched & tempered  
 Proof load: 2 times of working load limit  
 Finish: Powder coated

**GPT-CHK (L)-005 - Clevis self locking hook**

Clevis self locking hook						
WLL/T	E (mm)	B (mm)	H (mm)	Ø (mm)	R (mm)	Weight (Kg)
2	34	9.5	24	46	121	0.80
3.15	44	12	28.5	56	146	1.50
5.3	52	15	40	69	182	2.80
8	60	18	50.5	86	218	5.60
12.5	83	25	55	100	240	7.50
15	88	25.5	67	98	276.5	11.50



**GPT-EHK (L)-006 - Eye self locking hook**

Eye self locking hook						
WLL/T	M (mm)	Ø (mm)	H (mm)	D (mm)	R (mm)	Weight (Kg)
2	25	46	24	12	136	0.80
3.15	32	58	28	13	169	1.50
5.3	40	69	40.5	16.5	208	2.80
8	50	86	50.5	20	254.50	5.40
12.5	61	92	62	26.5	290	10.00
15	72	98	65	30	320	13.40

