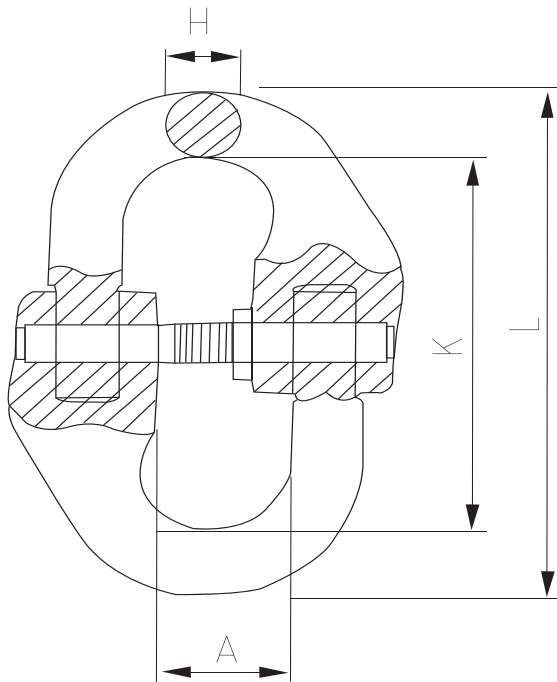


## Grade 80 - End Fittings

### GPT-CON-003 - Connecting link



#### Description:

- Designed for use with grade 80 alloy steel chain
- Used for connecting alloy steel chain to components
- Size, CE, WLL, Traceability code & GPT embossed

Standard: BS EN 1677-4

Material: Forged alloy steel

Factor of safety: 4 to 1

Construction: Quenched & tempered

Proof load: 2 times of working load limit

Finish: Powder coated

Connecting Link					
WLL (T)	A (mm)	L (mm)	K (mm)	H (mm)	Weight (Kg)
2	18.00	79.50	62.50	8.5	0.15
3.15	25.00	93.00	68.00	10.8	0.30
5.3	29.00	117.00	87.00	15	0.70
8	34.50	148.00	108.40	19.8	1.10
12.5	41.00	169.50	121.50	24	1.90
15	48.00	193.50	141.50	26	3.20
21.2	57.5	220	158.00	30	4.50
31.5	67.00	281	205.00	37	9.00