

## Material Handling Equipment

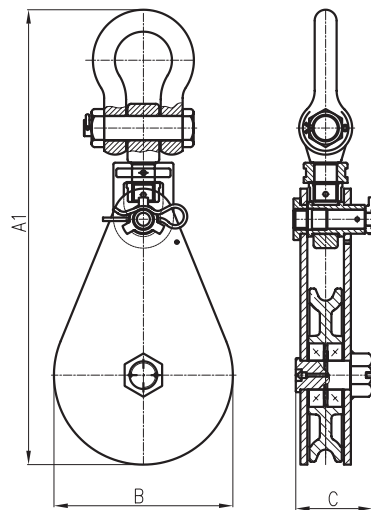
### GPT-SB-023 -Snatch block (Shackle type)

This Snatch block is essentially a pulley block assembly. Which opens to allow the easy connection of a looped rope or cable (known as the 'bight') rather than having the lengthy task of threading the cable. The block itself or 'sheave' is a wheel with a grooved edge which carries the rope or cable. The side plates or 'cheeks' house the wheel assembly.

Using a snatch block can effectively allow you to double the line which in turn doubles the lifting capacity of the snatch block and winch arrangement. A single snatch block or multiple snatch blocks can be deployed in conjunction with a winch to maximize lifting load capacity

#### Features:

- Capacity from 2t to 30t
- Durable powder coat finish
- Heavy duty permits to perform under extrem conditions
- Forged spare parts enhance the quality



Heavy Duty Snatch Blocks ( Shackle Type )							
Model	SWL (Ton)	Sheave dia (mm)	A2 (mm)	B (mm)	C (mm)	FOR WIRE DIA (mm)	N.W (kg)
GPT-LS3"X1	2	75	286	82	70	7-9	3.8
GPT-LS4(1/2)"X1	4	115	345	120	70	10-12	6.2
GPT-LS6"X1	4	150	399	160	70	16-18	8.3
GPT-LS6"X1	8	150	475	160	93	20-22	14.1
GPT-LS8"X1	8	200	528	210	93	20-22	18.7
GPT-LS8"X1	15	200	663	210	102	22-24	33
GPT-LS10"X1	10	250	679	260	115	24-26	34.7
GPT-LS10"X1	12	250	679	260	115	24-26	34.7
GPT-LS12"X1	12	300	767	310	133	24-26	54
GPT-LS12"X1	15	300	788	310	133	24-26	55
GPT-LS14"X1	22	355	952	365	140	28-32	109
GPT-LS16"X1	22	400	1019	415	140	28-32	118
GPT-LS16"X1	30	400	1126	415	155	32-35	164
GPT-LS20"X1	30	500	1256	514	162	32-35	208
GPT-LS24"X1	50	600	1525	625	240	46-50	418
GPT-LS30"X1	85	760	1910	800	288	56-64	840