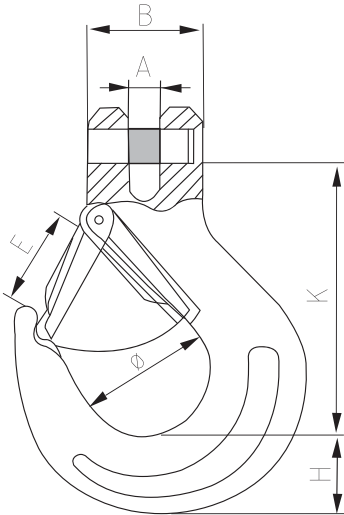


Grade 80 - End Fittings

GPT-CHK -007 - Clevis latch hook



Description:

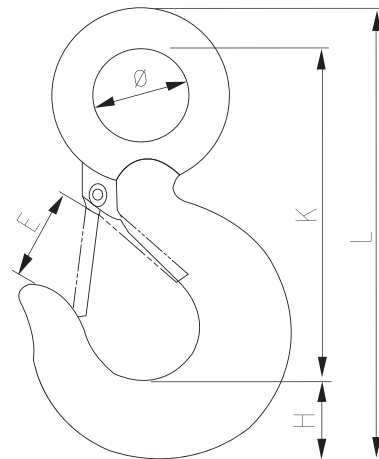
- For use with Grade 80 alloy steel chain or steel wire rope
- Suitable for overhead lifting application
- Size, CE, Traceability code, WLL & GRIPTON embossed

GPT-CHK -007 - Clevis latch hook

Clevis latch hook							
WLL/T	A (mm)	B (mm)	Ø (mm)	H (mm)	K (mm)	E (mm)	Weight (Kg)
2	9.5	37	37	32.5	85.5	29	0.52
3.15	13	49	46	35	104	39	1.05
5.3	16.5	56.5	56	42.5	128	47	2.00
8	21.5	70.5	60	54	150	55	3.70
12.5	24	77	79	58	180	61	6.00
15	27	91	101	62	213	72	10.40



GPT-EHK -008 - Eye latch hook



Standard:	EN 1677
Material:	Alloy steel
Factor of safety:	4 to 1
Construction:	Quenched & tempered
Proof load:	2 times of working load limit
Finish:	Powder coated

GPT-EHK -008 - Eye latch hook

Eye Hook with Latch						
WLL/T	Ø (mm)	E (mm)	H (mm)	K (mm)	L (mm)	Weight (Kg)
1.12	19	22	19	80	110	0.28
2	28	25	25	103	140.5	0.65
3.15	31	27.5	28	118	162	0.94
5.3	39	33	35	145	201	1.95
8	51	40	45	180	256	3.77
12.5	62	51	57	230	317	6.80
15	73	57	70	260	360	9.80
21.2	89	75	76	318	434	16.25
31.5	90	98	91	360	495	27.2

