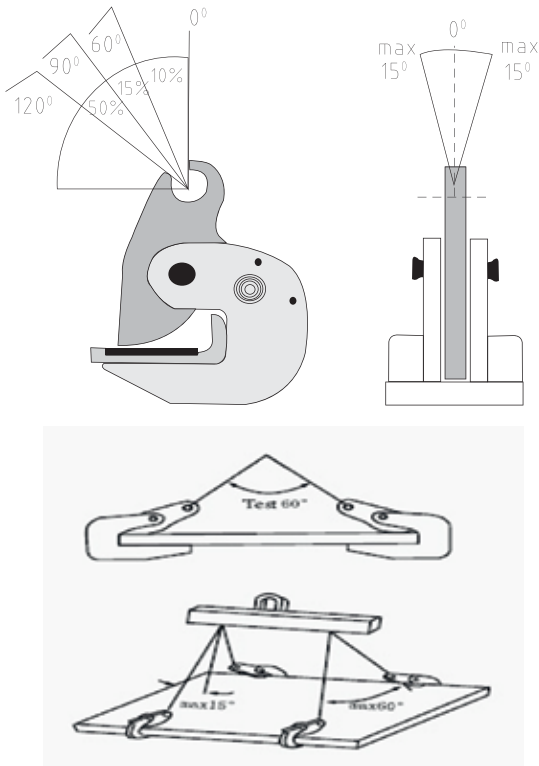


## Material handling equipment

### GPT-HPLC-018 - Horizontal plate clamp



#### Description:

- Designed for transferring, tilting and stacking steel plates in the horizontal plain
- These clamps must always be used in pairs
- CE, Traceability code, WLL, Jaw opening & GRIPTON mentioned in label

Standard:	EN 12195
Material:	Jaw: Alloy steel, Body: Carbon steel
Factor of safety:	4 to 1
Construction:	Quenched & tempered Jaw
Proof load:	Individually proof tested to 2 times of working load limit
Finish:	Powder coated

Horizontal Plate Lifting Clamp		
WLL (T) per pair	Jaw opening (mm)	Net weight (Kg)
1	0 - 30	3.5
1.5	0 - 30	4
2	0 - 40	5
3	0 - 45	6
4	0 - 50	6.5
5	0 - 55	7.5
6	0 - 65	10.5
6	0 - 130	22
8	0 - 100	22
10	0 - 125	33