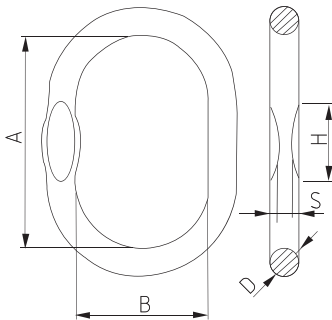


Grade 80 - End Fittings

GPT-ML-001 - Master link



Description:

- Designed for use with steel wire rope or grade 80 alloy steel chain
- For overhead lifting application
- Size, CE, WLL, Traceability code & GRIPTON or GPT embossed

Standard: BS EN 1677-4

Material: Alloy steel

Factor of safety: 4 to 1

Construction: Quenched & tempered

Proof load: 2 times of working load limit

Finish: Powder coated

Master Link with Flat

Item No.	WLL (T)	A (mm)	B (mm)	D (mm)	S (mm)	H (mm)	Weight (Kg)
13B5	2.6	95	51	13	7	50	0.3
13B6	2.4	115	60	13	7	50	0.35
16B6	3.8	120	70	16	9	70	0.6
16B7	2.8	190	100	16	9	70	86
20B6	6.4	150	80	20	11	50	1.1
20B7	5.8	170	90	20	11	70	1.25
22B6	7.6	170	90	22	12	70	1.53
22B7	6.4	210	110	22	12	70	1.83
25B6	10	190	100	25	13	80	2.21
28B6	12.7	210	110	28	15	80	3.06
28B7	10.5	270	140	28	15	70	3.81
32B6	15.2	270	140	32	17	70	5.05
38B6	25.1	270	140	38	20	55	7.3
38B7	17	420	220	38	20	55	10.78
45B6	34	320	170	45	24	60	12.2
45B7	24.5	470	250	45	24	60	17.06
50B6	40	380	200	50	-	-	17.65
60B6	58	430	220	60	-	-	28.85
70B6	84	500	250	70	-	-	45.48