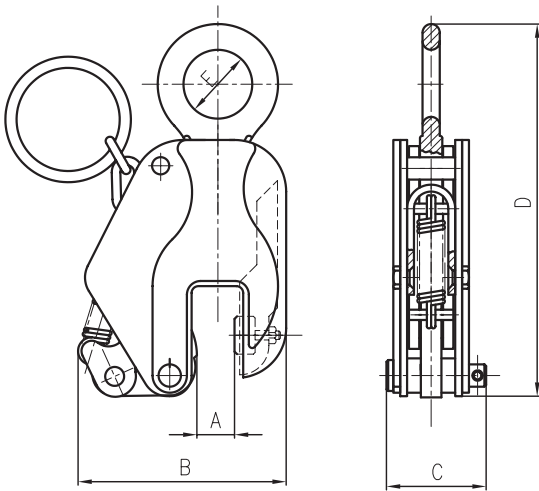


Material handling equipment

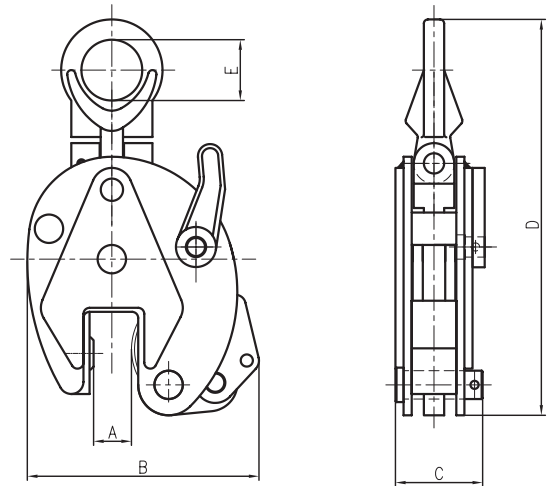
GPT-VPLC-019 - Vertical clamp



Description:

- Designed for vertical plate lifting
- Positive grip with locking mechanism
- CE, Traceability code, WLL, Jaw opening & GRIPTON mentioned in label

GPT-VPLC(UNV)-020 - Vertical universal clamp



- Standard: EN 12195
- Material: Cam: Alloy steel, Body: Carbon steel
- Factor of safety: 4 to 1
- Construction: Quenched & tempered
- Proof load: Individually proof tested to 2 times of working load limit
- Finish: Powder coated

GPT-VPLC-019 - Vertical clamp

Vertical Plate Lifting Clamp		
WLL (T) per pair	Jaw opening (mm)	Net weight (Kg)
1	0 - 22	3.5
2	0 - 30	4
3	0 - 40	5
5	0 - 50	6
8	0 - 60	6.5
10	0 - 80	7.5



GPT-VPLC(UNV)-020 - Vertical universal clamp

Universal Vertical Plate Lifting Clamp		
WLL (T) per pair	Jaw opening (mm)	Net weight (Kg)
1	0 - 15	4
2	0 - 25	8
3	0 - 25	15
5	0 - 30	21
8	0 - 45	37

