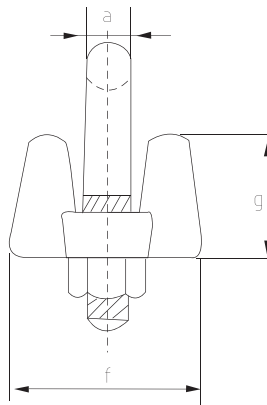
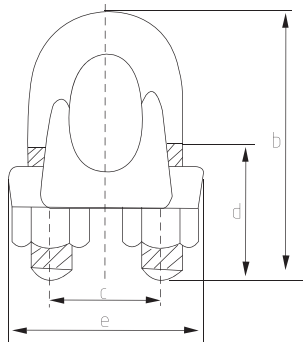


Wire Rope Accessories

GPT-WRG-026 - Wire rope clip



Description:

- Wire rope clips are used on wire rope eye connections when socketing or mechanical splicing is not feasible or when a temporary joint is required.

Standard: Conforming to federal specification FF – C 450 type 1 class 1.

Material: Forged carbon steel

Finish: Hot dip galvanized

Wire Rope Clips									
A (mm)	B (mm)	C (mm)	D (mm)	E (mm)	F (mm)	G (mm)	Torque (Nm)	Min. No. of clips	Net weight (Kg)
8	34	19	13	37	30	17	20.3	2	0.09
10	45	22	19	43	33	18	40.7	3	0.13
11	49	26	19	49	42	25	61	3	0.2
13	61	30	26	58	48	27	88	3	0.33
14	74	33	32	64	52	33	129	3	0.46
16	86	38	37	72	57	37	176	4	0.68
19	98	45	40	80	62	40	305	4	0.96
19	108	48	46	88	67	44	305	5	1.18
19	117	51	51	91	72	48	305	6	1.28
22	130	59	54	105	79	56	488	7	1.9
22	140	60	59	108	79	58	488	7	2
22	147	66	60	112	86	64	488	8	2.35
22	161	70	67	121	92	67	583	8	3.1
29	175	78	74	134	97	78	800	8	4.2
32	195	86	78	152	113	87	1017	8	5.8
32	208	98	81	162	116	100	1017	8	7.3
32	227	105	87	168	119	113	1017	9	8.25
32	243	112	91	174	127	124	1017	10	10.5
38	271	121	104	194	135	136	1627	10	14.2
38	311	140	114	213	157	152	1627	12	18.1